

# DIGITAL, CANBUS PRESSURE TRANSDUCERS



Paine's high resolution digital transducer is ready for **Controller Area Network (CAN) Bus** systems enabling device communication in the toughest environments, found in sub-sea, industrial, automation, military and automotive applications.

Internal linearity and temperature correction, self test, state of health status. Outputs in PSI, Bar, Pascal, or other pressure units. Also provides temperature in Celsius or Fahrenheit. The robustness of the CAN architecture, proven for over 18 years, is now complemented with Paine's new **CANBus Digital Series**.

The units are available in standard pressure ranges up to **+15,000 PSIS** and available in higher pressure ranges and custom packaging to fit your specific application.



220-38-010-XX\*  
0-15,000 PSIS

**Specifications:**

**Typical Performance:** The following parameters are established from production units.

**Calibration Data:** Calibration Certificates are supplied with each unit.

**Performance: \***

**Non-Linearity:** < 0.1% of Full Scale Output (F.S.O.) (Best Straight Line Method).

**Hysteresis:** < 0.1% F.S.O.

**Total Error Band Including Static Error and Temperature Effects:** Not to exceed ± 0.65% of MAX F.S. rated pressure over the calibrated temperature range (Best Straight Line Method).

**Operating Temperature Range:** -40°F to +185°F (-40°C to +85°C).

**Calibrated Temperature Range:** 23°F to +185°F (-5°C to +85°C).

**Resolution:** <0.5 PSI.

**Mechanical: \***

**Pressure Range:** 0-15,000 PSIS.

**Proof Pressure:** 150% of rated range .

**Burst Pressure:** 250% of rated range.

**Electrical Connections:** High temperature solderable connections.

**Pressure Port:** 1/4" MP Butech .4375-20 thread.

**Pressure Media:** Any compatible with alloy N07718 Rockwell C 40 maximum.

**Electrical: \***

**Input Voltage:** 9 to 20 VDC.

**Input Current:** 50 mA maximum.

**Output Units:** PSI.

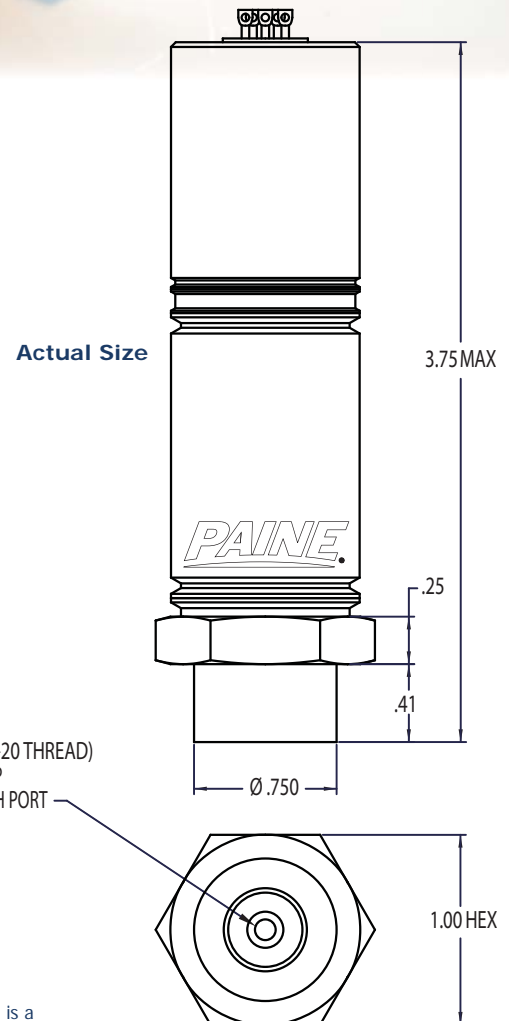
**Output:** Fault tolerant CANBus.

**Output Protocol:** CANBus ISO 11898-3.

**Application Layer:** CANOpen.

**Transfer Rates:** 50 Kb/s to 1 Mb/s.

**Electrical Connections:** A= + Input, B= CAN-High, C= CAN-Low, D= -Input, E= Do Not Connect.



(.4375-20 THREAD)  
1/4" MP  
BUTECH PORT



Paine Electronics, LLC is a proud ISO-9001/AS9100 registered company

Datasheet P/N: 220-38-010-DS\_REV-D

\* Contact us or your authorized Paine Electronics representative for other standard and/or custom configurations or options.

All specifications are subject to change or modification without notice. PAINE ® is a registered trademark of Paine Electronics, LLC. Copyright © Paine Electronics, LLC | All Rights Reserved

Call or email us today for more information!

**509-881-2100**  
moreinfo@paineelectronics.com

**Paine Electronics, LLC**  
5545 Nelpar Drive, East Wenatchee WA 98802  
Tel: (509) 881-2100 | Fax: (509) 881-2115

Visit us on the web at:  
[www.paineelectronics.com](http://www.paineelectronics.com)