

AMPLIFIED HIGH TEMPERATURE PRESSURE TRANSDUCERS

SERIES: 213-36-940

Paine's **High Temperature Amplified** pressure transducers are designed for extreme performance, reliability and stability in the toughest applications. This Series is well suited for small diameter deep well tool applications and more based on it's narrow body diameter and an operating temperature to **+400°F**. With pressure ranges from **5,000 - 30,000 PSI** at full scale, units are also available as Absolute or Gaged for differential pressure measurements.

Many models can be modified to meet your specific design and application requirements and are available with optional features including specific pressure ranges, differential pressure, voltage inputs, electrical connections, pressure ports, special testing and thermal compensation.

Specifications

Typical Performance: The following parameters are established from production units.

Calibration Data: Calibration Certificates are supplied with each unit *

Performance:

Non-Linearity: < 0.05% of FSO **

Non-Repeatability: < 0.15% of FSO

Hysteresis: < 0.15% FSO

Thermal Error Band: < 0.15% FSO **

Total Error Band (RMS): 0.2% FSO **

Operating Temperature Range: 0°F to +400°F (0°C to +204°C)

Compensated Temperature Range: +75°F to +400°F (23°C to +204°C)

Mechanical:

Pressure Range: 0 to 5,000 PSIG *

Proof Pressure: 150% rated range *

Burst Pressure: 250% of rated range *

Pressure Media: Any compatible with Inconel 718 @™, Rockwell C 40 max *

Electrical Connections: High temperature solderable pins *

External Case Pressure: Up to 30,000 PSI *

Pressure Port: .625-18 UNF-2A *

Weight: 6.0 ounces nominal (.170 kg)

Electrical:

Input Power: +5 and +10 VDC *

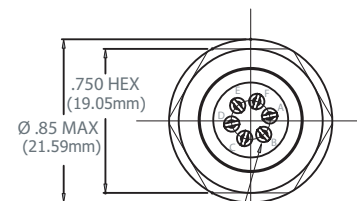
Input Current: 20 mA Max

Output Current: 2.5 mA Max (Short Circuit Protection)

Output at Zero Pressure: 0.75 +/- .025 VDC Max

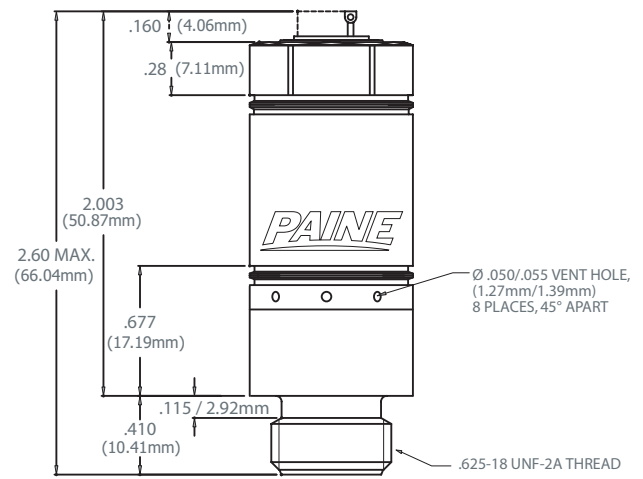
Output at Rated Pressure: 5.0 +/- .05 VDC Nominal *

Electrical Connections: A= + Input, B= + Output, C= Output Return, D= Input Return (C & D Internally Connected), E= N/C, F= N/C



SIX (6) NO. 20 SOLDERABLE
PINS, EQUALLY SPACES IN
INDIVIDUAL GLASS BEADS

213-36-940-01
Actual Size



* Please contact our Sales Engineers for other available options. ** Referenced to a 2nd order polynomial.
Paine Electronics, LLC reserves the right to update and modify these specifications without notice.

"EXTREMELY HIGH ACCURACY, LONG TERM STABILITY, RELIABILITY & REPEATABILITY"

Paine Electronics, LLC. 5545 Nelpar Drive, East Wenatchee, WA 98022 Phone: (509) 881-2100 Fax: (509) 881-2115

Email: moreinfo@paineelectronics.com Url: www.paineelectronics.com